

INSTALLATION:

Determine placement of bench.

For freestanding bench:

1. Set in place with proper equipment such as a crane. See Fig. 1.

For embedding:

1. Lift unit. Measure hole locations.
2. Mark hole locations.
3. Drill holes according to Fig. 2.
4. Lift unit and install M16 x 140mm bolts. Thread in until tight.
5. Fill holes with chemical anchoring adhesive
6. Lower unit over holes.

Included components: Units can be freestanding or anchored with included hardware.

- (2) M16 x 140mm bolts for anchoring.

Tools required:

- Crane or proper equipment to move 816 lbs (24" bench), 3307 lbs (95" bench) or 5070 lbs (142" bench)

- Wood supports or straps

For embedding:

- Wrench, 24mm
- Chemical anchoring adhesive
- Hammer drill with $\varnothing 1\text{-}1/2"$ [40mm] masonry drill bit

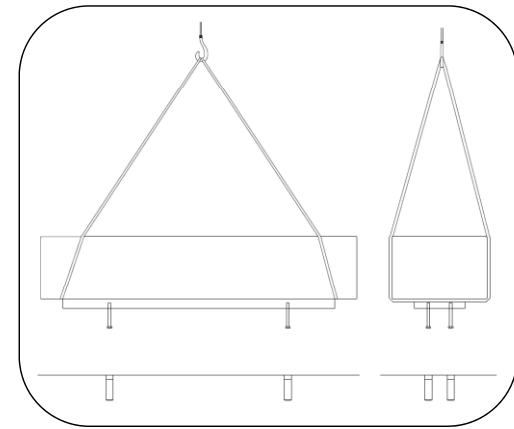


Fig. 1 – Crane install

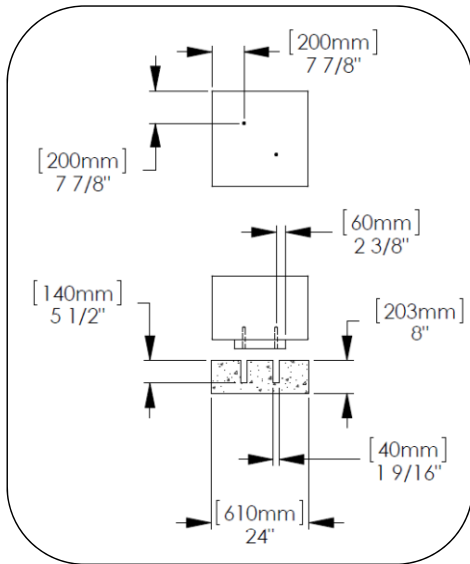


Fig. 2– 24in bench

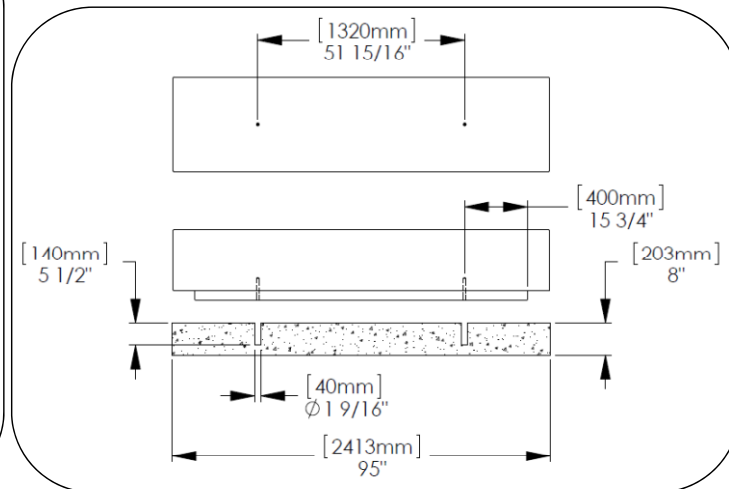


Fig. 3 – 95in bench

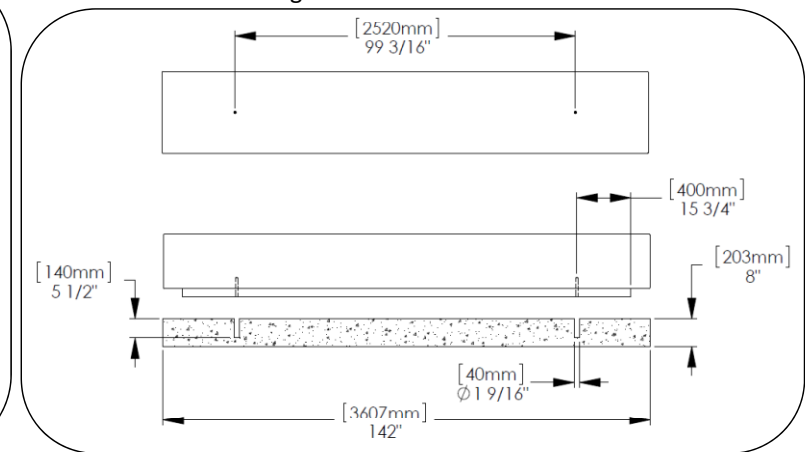


Fig. 4 – 142in bench