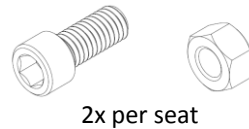


Included components:

- 7/16-14 x 1" hex head cap screw (2 per seat)
- 7/16-14 hex finish nut (2 per seat)
- Arms, if specified, are welded to the seat frame



Tools required:

- 3/8" socket with flex head handle
- 11/16" box wrench

Anchoring hardware: Not included. Corrosion-resistant hardware is recommended. Maximum 3/8" diameter bolts recommended.

For Surface Mount: Each support has (6) 9/16" diameter holes for anchoring.

ASSEMBLE WITH CARE! Pangard II® Polyester Powdercoat is a strong, long-lasting finish. To protect this finish during assembly, place unwrapped powdercoated parts on packaging foam or other non-marring surface. Do not place or slide powdercoated parts on concrete or other hard or textured surface – this will damage the finish causing rust to occur. Use touch-up paint on any gouges in the finish caused by assembly tools.

FREESTANDING INSTALLATION:

1. Set unit in place.
2. Adjust glides as necessary to level bench.

SURFACE MOUNT INSTALLATION:

1. Set unit in place. Place all units that are to be installed in a group before anchoring any of them. Horizontal support tubes may be aligned and butted end-to-end.
2. Mark hole locations. See Fig. 1 for surface mount plate details.
3. Move unit to allow access for drilling holes.
4. Drill holes at marked locations according to anchor manufacturer's recommendations. Minimum 2-1/2" anchor depth is recommended.
5. Move unit back into place and install anchors.

EMBEDDED INSTALLATION:

1. Set unit in place.
2. Mark hole locations.
3. Move unit to allow access for excavating holes.
4. Excavate area for each vertical support as shown in Fig. 2.
5. Set unit in place and secure before pouring concrete. Clean any excess concrete off of support tube. The top of the support tube should be between 13-3/4" and 15-3/4" for comfortable seating height.

SEAT INSTALLATION:

1. Place seat on support tube, aligning mounting adapters.
2. Using hardware provided, insert cap screw through adapters and install the hex nut on the inside of the bracket. See Fig. 3. Repeat for other side.
3. Tighten hardware on one side halfway, and then tighten the other side halfway. Repeat until each side is securely fastened. Tighten to 40 ft-lbs.

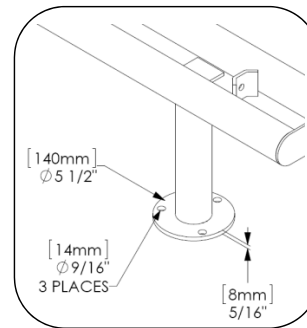


Fig. 1 – Surface Mount

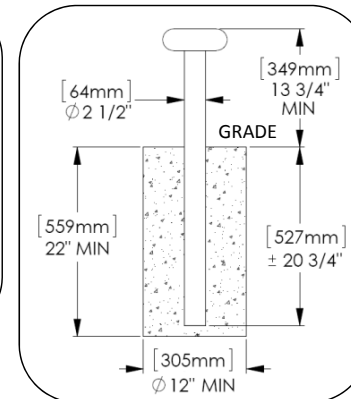


Fig. 2 – Embedded

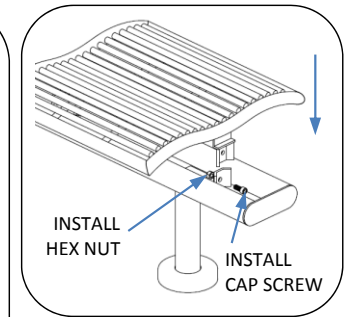


Fig. 3 – Seat install