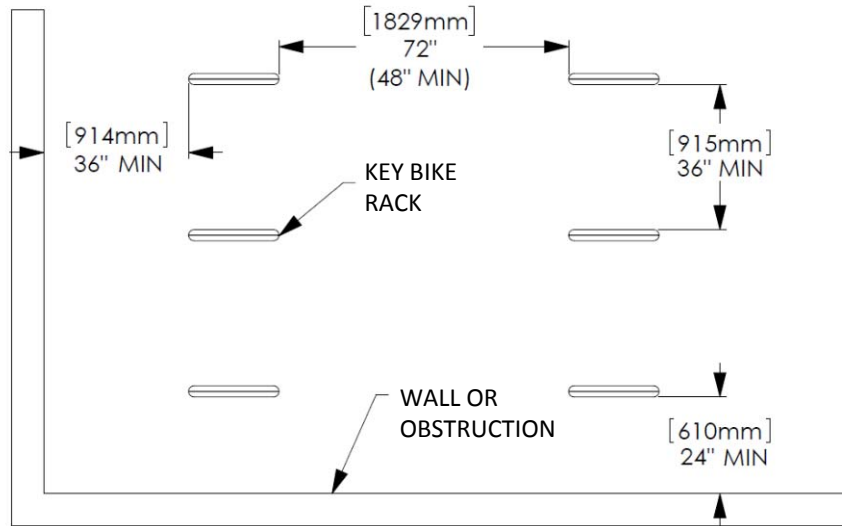


Embedded

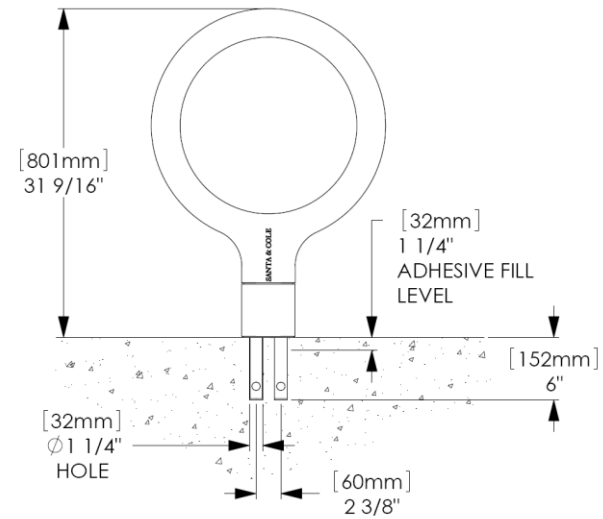
Tools Required

- Unit ships assembled

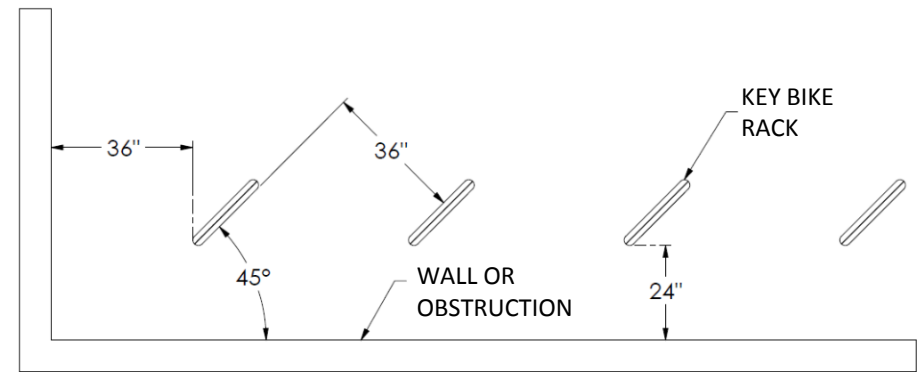


Recommended spacing, according to Association of Pedestrian and Bicycle Professionals (APBP)

HANDLE WITH CARE! Key's finish can be scuffed by contact with tools, concrete, or other abrasive surfaces. Protect the finish from damage during installation. Use touch-up paint to repair any powder coat finish abrasions.



Side Elevation, showing core drill sizes



Optional bike rack spacing

INSTALLATION:

1. Set bike rack in position and mark hole locations.
2. Core drill 1-1/4" diameter (minimum) holes 6" deep
3. Prepare the holes for outdoor anchoring cement, such as Kwixset™ or Super Por-rok®. Follow the manufacturer's instructions for blowing out dust, filling with water, scrubbing, and removing excess water.
4. Fill the holes with anchoring cement and place the bike rack back into position.