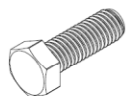


Bench options

Included components

- Assembled bench
- For surface mount option: (6) each 1/2-13 x 1-1/2" hex head cap screw, drop-in anchor for 1/2-13 screw and 1/2" flat washer. Setting tool for drop-in anchor included.



6x – hex head cap screw (surface mount only)



6x – flat washer (surface mount only)



6x – drop-in anchor (surface mount only)



1x – setting tool (surface mount only)

Tools Required

- Safety glasses
- Hammer drill with 5/8" dia masonry drill bit (for surface mount)
- Hammer (for surface mount)
- 3/4" wrench (for surface mount)

**ASSEMBLE WITH CARE!** Pangard II® Polyester Powdercoat is a strong, long-lasting finish. To protect this finish during assembly, place unwrapped powdercoated parts on packaging foam or other non-marring surface. Do not place or slide powdercoated parts on concrete or other hard or textured surface – this will damage the finish causing rust to occur. Use touch-up paint on any gouges in the finish caused by assembly tools.

PROCEDURE FOR INSTALLATION:

1. Prepare proper footing or slab as required.

**Note:** Landscape Forms is not responsible for footing or slab installation.

FOR SURFACE MOUNTED BENCH:

**Note:** DO NOT DRAG bench across concrete or other rough surfaces. This could damage the powdercoat on the bottom of the base plate.

2. Place unit in desired position and mark anchor locations through holes provided in base plate.
3. Move unit and drill holes according to Fig. 1.
4. Clear the holes of dust and debris using compressed air.
5. Install drop-in anchors flush with surface of concrete.
6. Expand anchor with setting tool. Anchor is properly expanded when shoulder of setting tool is flush with top of anchor.
7. Place unit in desired position and install the washers and hex bolts. Tighten to 55-60 ft-lbs.
8. Periodically check fasteners and tighten if required.

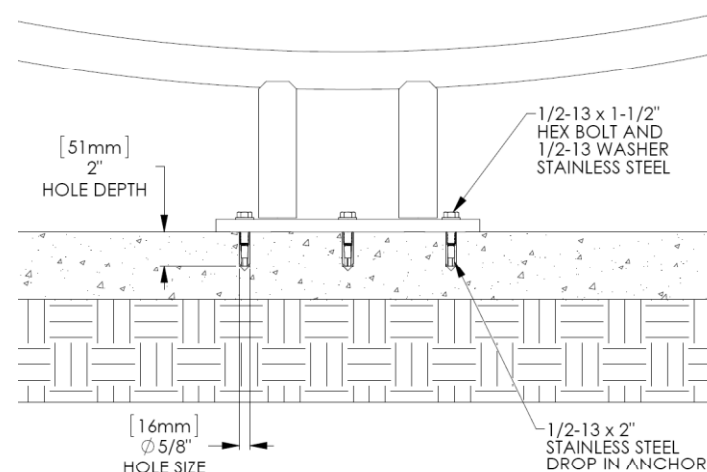
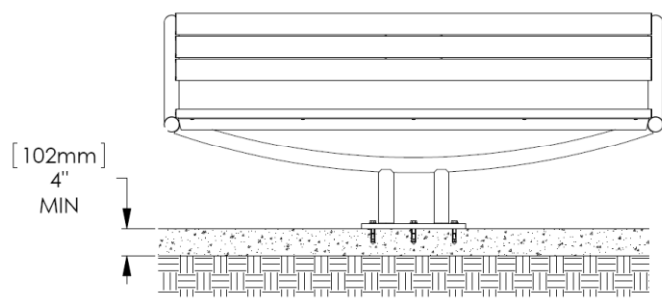
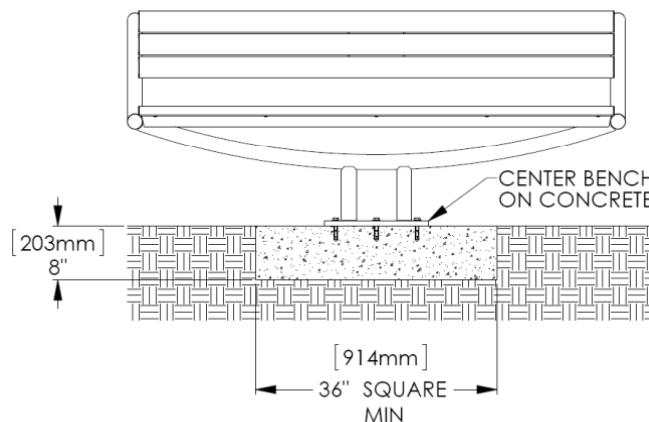


Fig. 1 – Anchor Detail

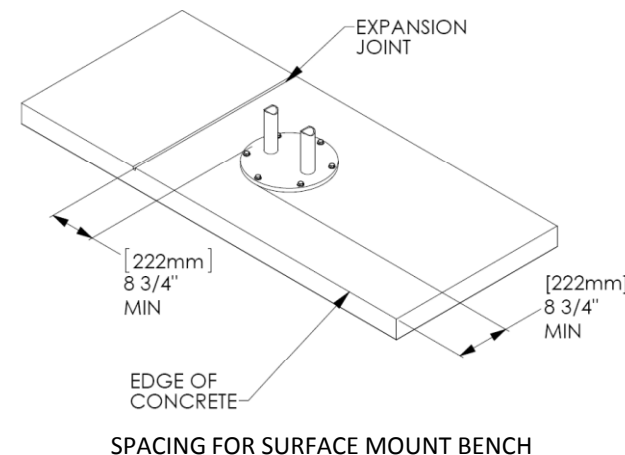
NOTE: CONCRETE SHOULD BE STEEL REINFORCED, CONCRETE: f'c = 3000 p.s.i.



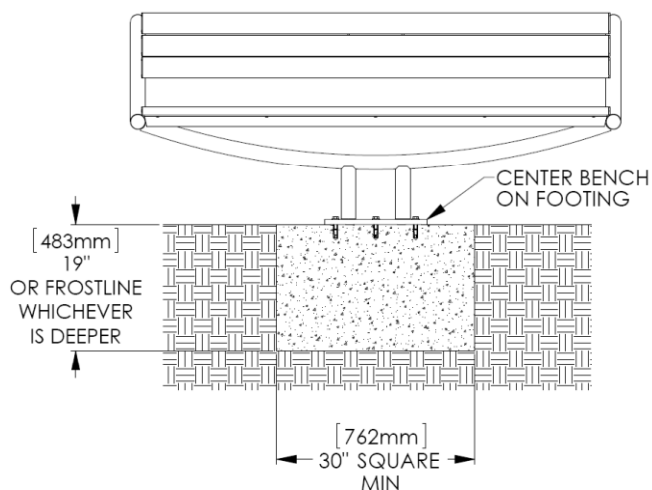
RECOMMENDED INSTALLATION DETAIL FOR MOUNTING ALONG SIDEWALK



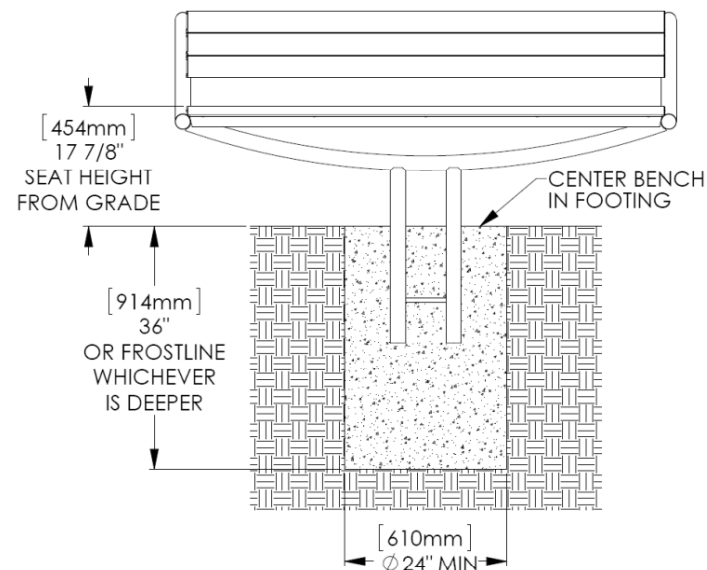
RECOMMENDED INSTALLATION DETAIL FOR MOUNTING TO NEW SLAB



SPACING FOR SURFACE MOUNT BENCH



RECOMMENDED CAISSON FOOTING FOR SURFACE MOUNT BENCH



RECOMMENDED CAISSON FOOTING FOR EMBEDDED BENCH