

Included components: No assembly required

Tools required:

- Crane or forklift to move 2425 lbs.
- Wood supports or straps

**INSTALLATION:**

1. Determine placement of bench. Bench weighs 2425 lbs.
2. Set in place with proper equipment such as a forklift or crane. See Fig. 1 or Fig 2.

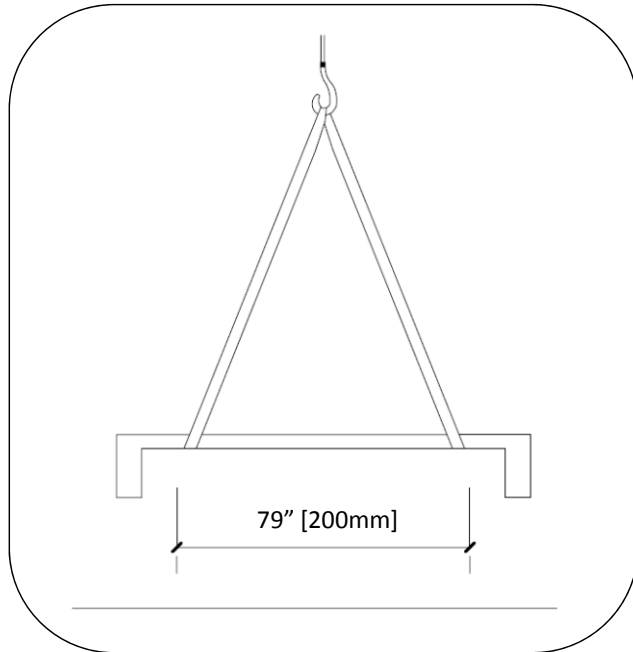


Fig. 1 – Crane install – strap locations

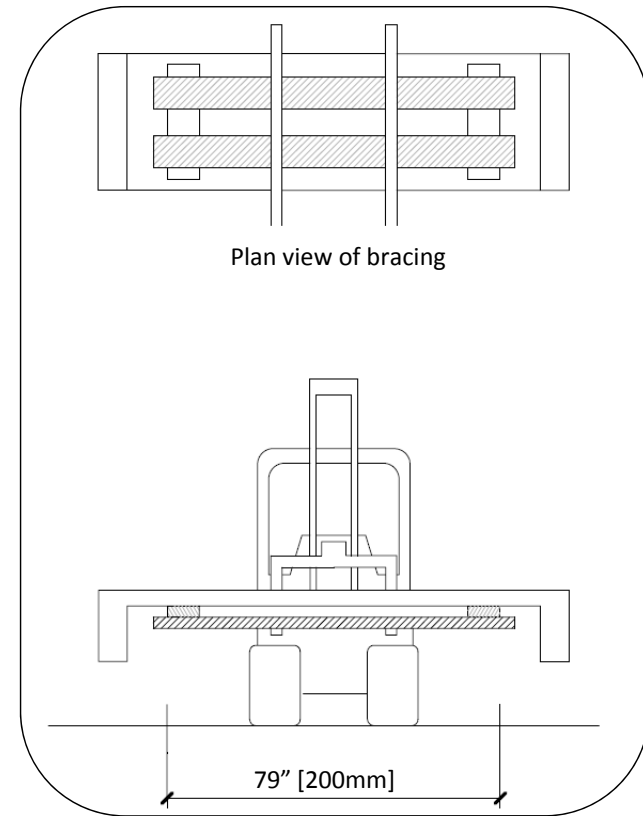


Fig. 2 – Forklift install – bracing locations