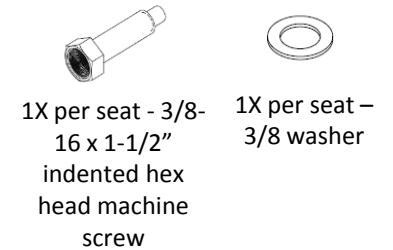


**ASSEMBLE WITH CARE!** Pangard II® Polyester Powdercoat is a strong, long-lasting finish. To protect this finish during assembly, place unwrapped powdercoated parts on packaging foam or other non-marring surface. Do not place or slide powdercoated parts on concrete or other hard or textured surface – this will damage the finish causing rust to occur. Use touch-up paint on any gouges in the finish caused by assembly tools.

**WARNING! ALL 3-SEAT TABLES AND ALL TABLES USED WITH METAL UMBRELLAS MUST BE FASTENED SECURELY TO HARD SURFACING TO PREVENT TIPPING.**

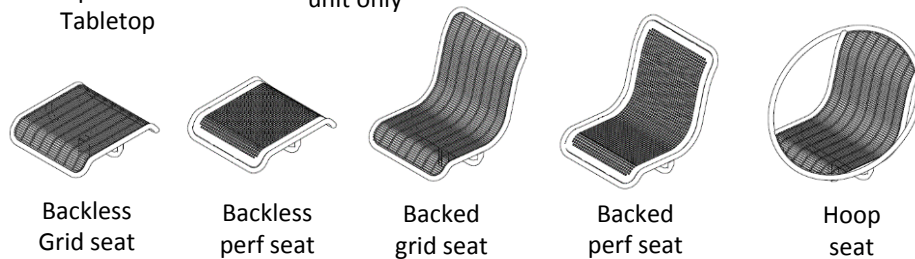
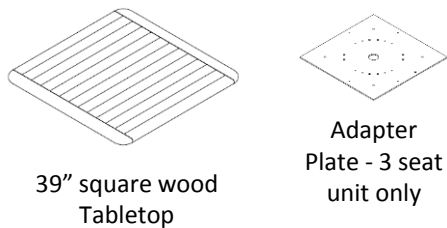
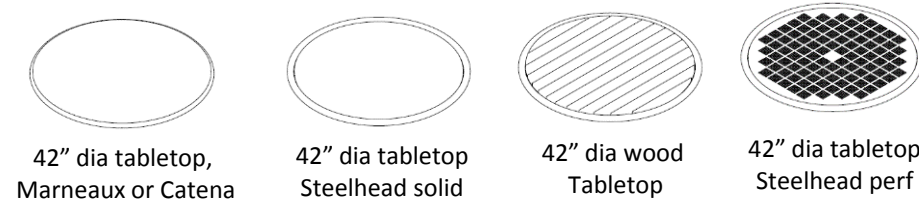
Included components:

- Support 'A' and 'B' for 3 or 4 seat units
- Support 'A', 'B' and 'C' for 5 or 6 seat units
- Seats (qty and style depends on order)
- 1 tabletop per unit, with attaching hardware
- (1) ¼-20 x 2-1/4" Phillips pan head machine screw and lock nut



Tools required:

- protective padding
- Phillips head screwdriver
- Non-corrosive anchors, maximum Ø3/8" [9mm] – 3 for 3-seat unit, 4 for 4-seat unit
- 9/16" wrench (for seats)
- 5/32" hex key
- 7/16" wrench (for umbrella hardware)



**PROCEDURE FOR ASSEMBLING SEATS:** See Fig 11. This should be done after assembling supports to tabletop.

**Note:** These instructions apply to all seat styles for Carousel units. Seats were NOT designed to swivel. Allowing the seat to swivel will damage the finish and the product.

1. Slide seat stem into tube on support. Backless seats should be installed with the flat part of the stem facing toward the center of the table.
2. Align threaded hole in seat stem with hole in support tube. This may require lifting the seat slightly.
3. Insert washer and hex head machine screw through the support hole and tighten. Screws are coated with a dry thread locking compound that cures in 24 hours. Wiggle seats and tighten as necessary until seat is securely fastened.

**ASSEMBLE WITH CARE!** Pangard II® Polyester Powdercoat is a strong, long-lasting finish. To protect this finish during assembly, place unwrapped powdercoated parts on packaging foam or other non-marring surface. Do not place or slide powdercoated parts on concrete or other hard or textured surface – this will damage the finish causing rust to occur. Use touch-up paint on any gouges in the finish caused by assembly tools.

**TABLETOP ASSEMBLY:**

**Note:** DO NOT DRAG unit across concrete or other rough surfaces. This could damage the powdercoat on the bottom of the surface mount tabs.

1. Verify that surface mount tabs (if ordered) are securely fastened to support legs. Tighten if necessary.
2. Place table top upside down on non-marring level surface.
3. For 3 seat units with any table style except Marneaux, place the square adapter plate on top of cross bars of tabletop. Tabletops for 5 or 6 seat units will ship with the adapter plate installed. Do not remove the adapter plate.
4. Place table support “A” (has 5” ring at center) upside down on table top and align holes, see Fig 1, 3, 5 or 8.
5. Loosely fasten support to table top with screws provided.
  - Catena/Steelhead tables include (12) 1/4-20 x 3/4” Phillips truss head tapping screws
  - Marneaux® includes (4) 1/4-20 x 3/4” Phillips pan head machine screws and washers. One screw required at the outer hole in each plate.
  - Square wood tabletop includes (12) 1/4-20 x 1” Phillips pan head machine screws.
6. Hold table support “B” upside down and carefully lower it over support “A” so bar on “B” fits into notch on “A”. Loosely fasten support “B” to table top, see Fig 2, 4 6 or 9
7. For 5 or 6 seat units, lower support “C” over installed supports. Loosely fasten to tabletop. See Fig 7 or Fig. 10.

**The use of power drivers is not recommended. Threads or threaded inserts may be damaged or broken due to over-torquing.**

3. Install hardware. Tighten all table top fasteners until snug, then tighten additional 1/4 turn.
4. Turn table right side up using at least two people.

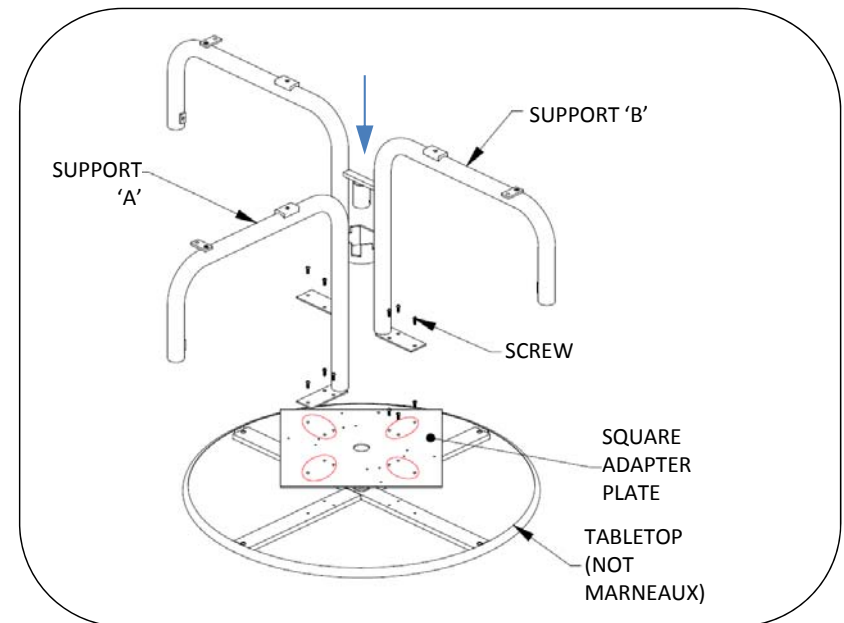


Fig. 1 – 3 Seat table to support install (not Marneaux)

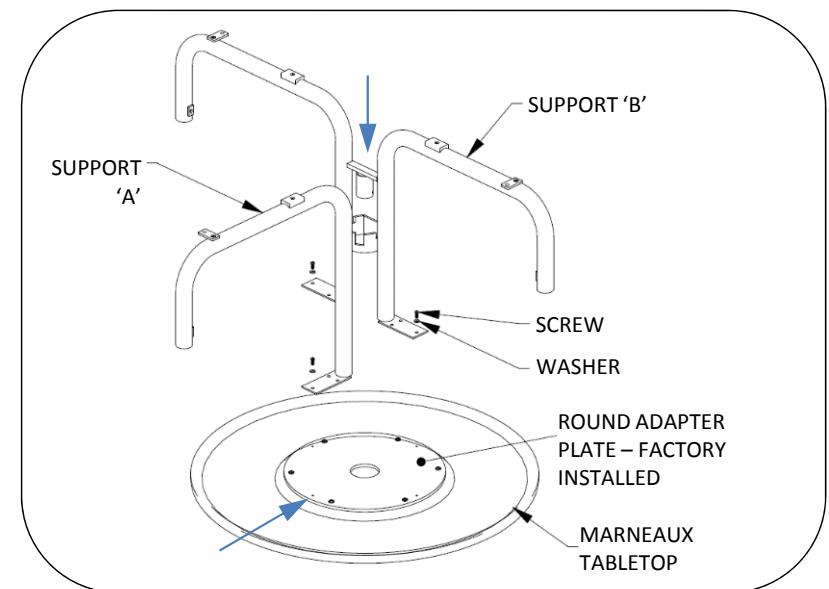


Fig. 2 – 3 Seat table to support install (Marneaux tabletop)

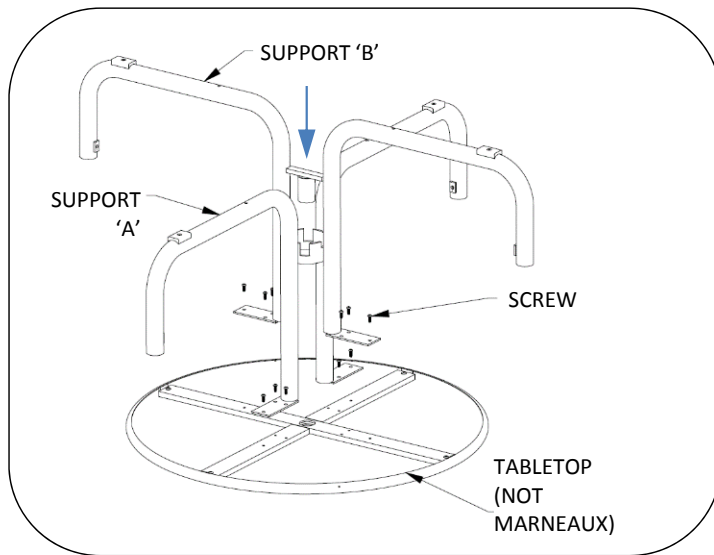


Fig. 3 – 4 Seat table to support install (not Marneaux)

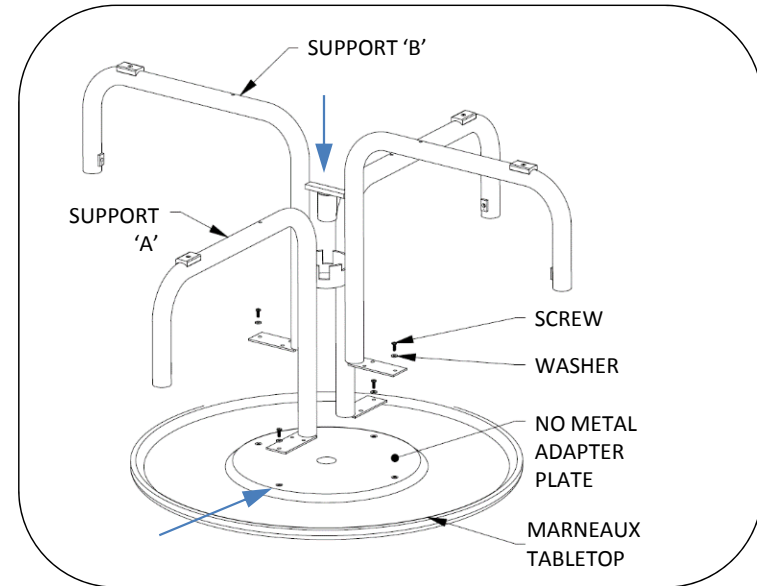


Fig. 4 – 4 Seat table to support install (Marneaux tabletop)

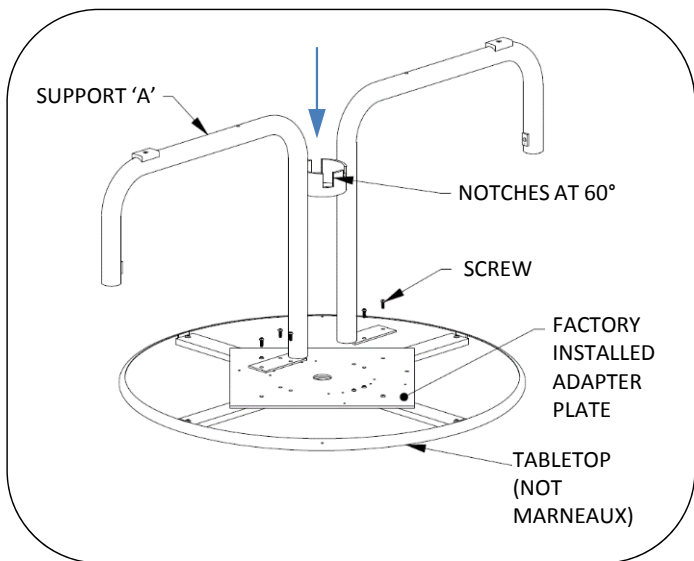


Fig. 5 – 5 Seat support 'A' install (not Marneaux)

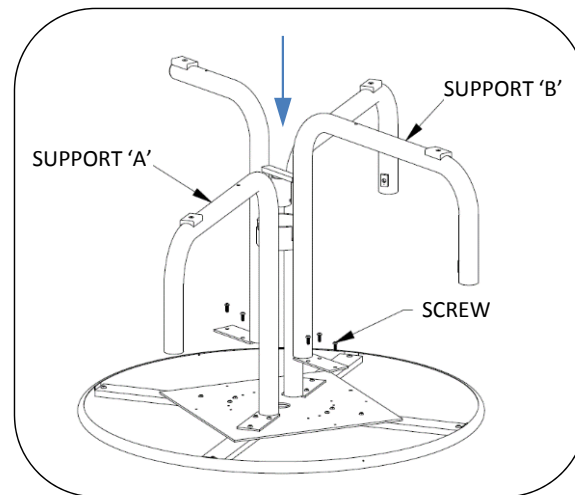


Fig. 6 – 5 Seat support 'B' install (not Marneaux)

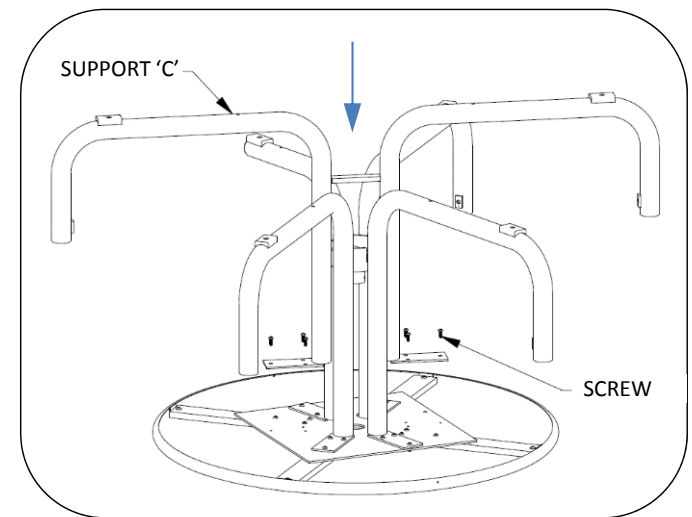


Fig. 7 – 5 support 'C' install (not Marneaux)

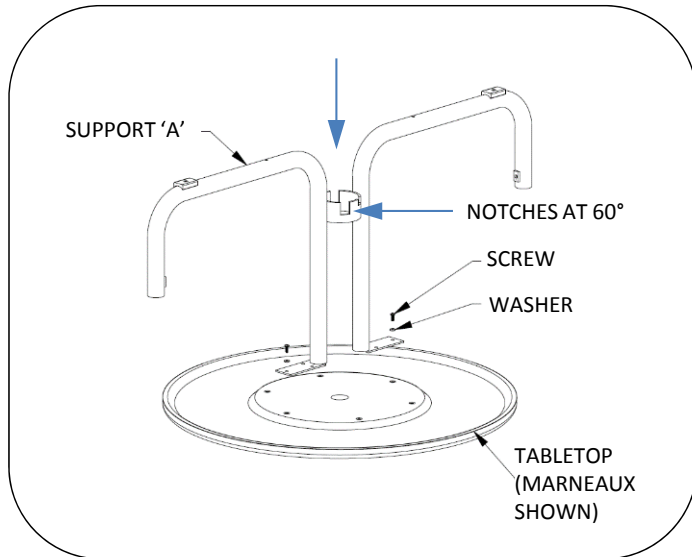


Fig. 8 – 6 Seat support 'A' install (Marneaux)

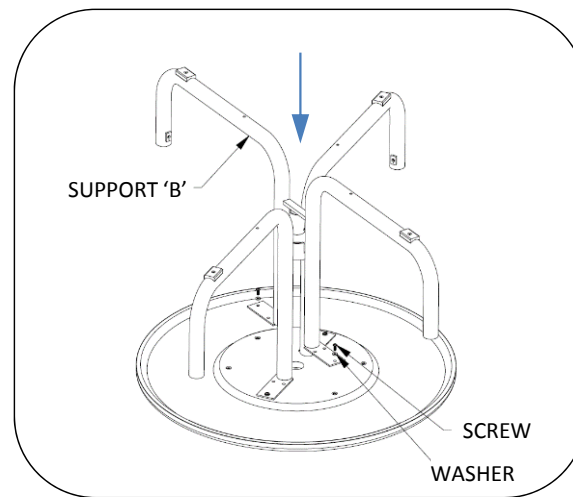


Fig. 9 – 6 Seat support 'B' install (Marneaux)

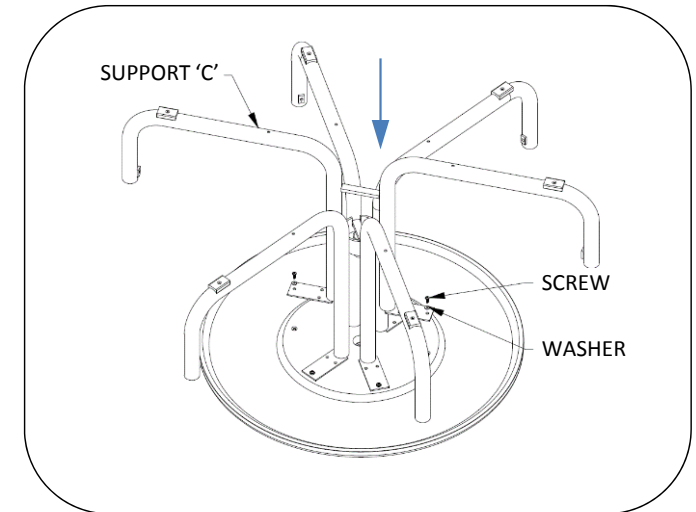


Fig. 10 – 6 support 'C' install (Marneaux)

**SURFACE MOUNT INSTALLATION:**

1. Place unit in desired position and mark anchor locations through holes provided in surface mount tabs.
2. Move unit and drill holes.
3. Clear the holes of dust and debris using compressed air.
4. Place unit in desired position and install all of the anchors. After all anchors are installed, tighten as recommended by anchor manufacturer.
5. Periodically check fasteners and tighten if required.

**UMBRELLA ASSEMBLY:**

1. To install umbrella, slide umbrella pole through hole in table and into tube on support "B".
2. Align holes in base tube and umbrella pole. Insert long 1/4-20 machine screw and secure with lock nut.

**CAUTION:** Do not let go of the umbrella until the pole has been secured.

**WARNING!** All 3 seat units must be anchored. All units used with metal umbrellas must be anchored.

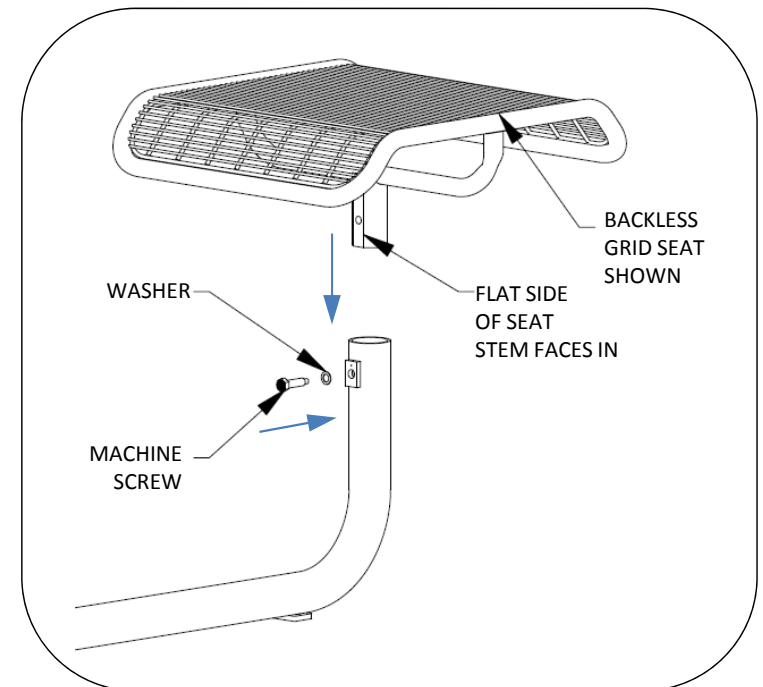


Fig. 11 – Install seat