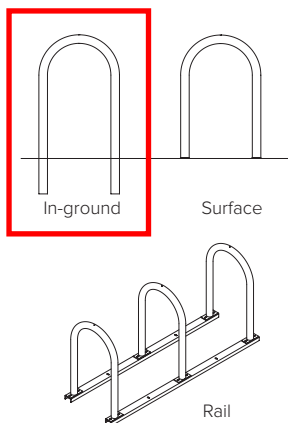
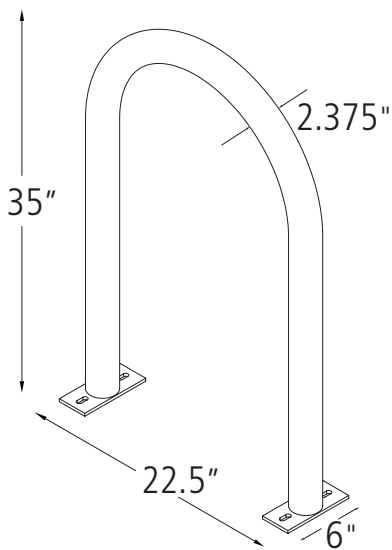


# HOOP RACK HEAVY DUTY

## Submittal Sheet



**CAPACITY** 2 Bikes

**MATERIALS** 2" schedule 40 pipe (2.375" OD)

- FINISHES**
- Galvanized**  
An after fabrication hot dipped galvanized finish is our standard option.
  - Powder Coat** Black  
Our powder coat finish assures a high level of adhesion and durability by following these steps:
    1. Sandblast
    2. Epoxy primer electrostatically applied
    3. Final thick TGIC polyester powder coat
  - Thermoplastic**  
In addition to an increased thickness (8-10mils), the thermoplastic finish covers a galvanized layer and offers superior impact resistance over powder coating.
  - PVC Dip** (plastisol)  
Other colors available by special order (minimum orders apply)
  - Stainless**  
Stainless Steel: 304 grade stainless steel material finished in either a high polished shine or a satin finish.

- MOUNT OPTIONS**
- In-ground**  
In ground mount is embedded into concrete base. Specify in ground mount for this option.
  - Surface**  
Foot Mount has two 2.5"x6"x.25" feet with two anchors per foot. Specify foot mount for this option.
  - Rail**  
Rail Mounted Racks are bolted to two parallel rails which can be left freestanding or anchored to the ground. Rails are heavy duty 3"x1.4"x3/16" thick galvanized mounting rails. Specify rail mount for this option.

**SETBACKS**

