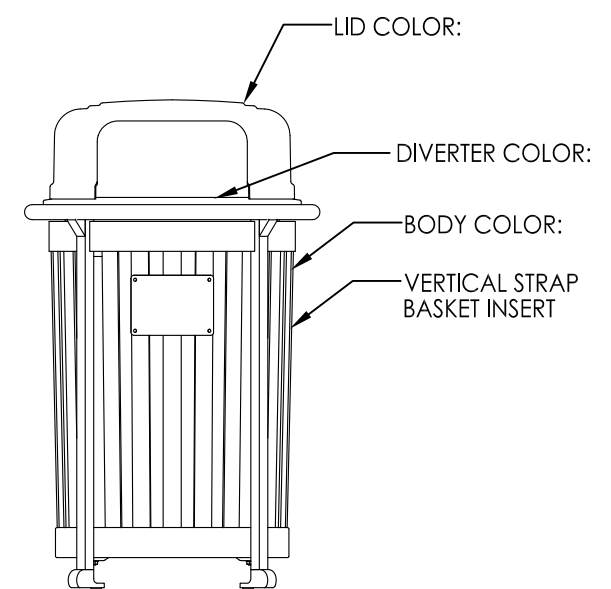
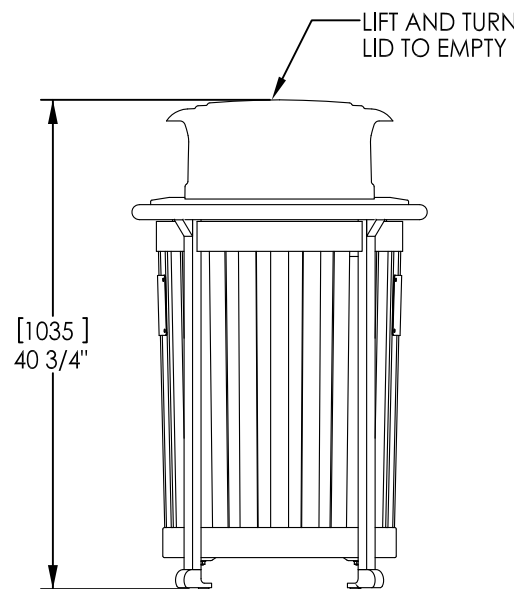
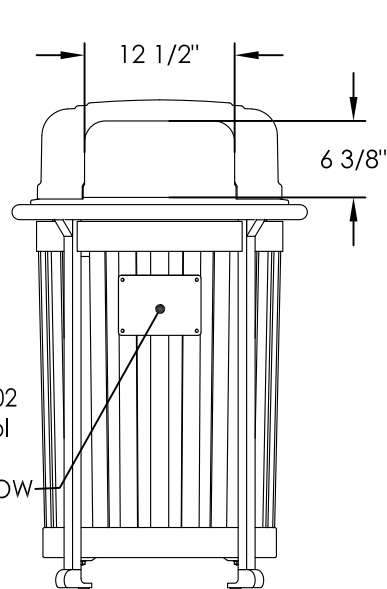
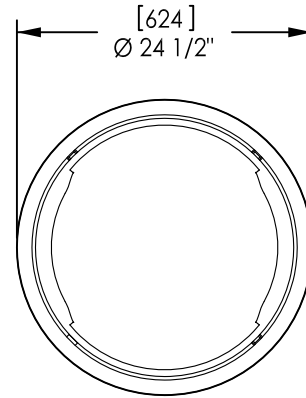


LINER COLOR: BLACK

\_\_\_\_ APPROVED  
\_\_\_\_ REVISE AND RESUBMIT  
\_\_\_\_ REJECTED

COMMENTS MADE ON THESE SUBMITTALS ARE FOR INFORMATION ONLY. ANY CHANGES REQUIRE RE-SUBMITTAL AND APPROVAL. CUSTOMER IS RESPONSIBLE FOR CONFIRMING ALL QUANTITIES, DIMENSIONS, AND INSTALLATION TECHNIQUES.

BY: \_\_\_\_\_ DATE: \_\_\_\_\_



FREESTANDING OR SURFACE MOUNT OPTIONS. NON-CORROSIVE ANCHORING HARDWARE SUPPLIED BY OTHERS. (4) Ø7/16" [Ø11] MOUNTING HOLES.